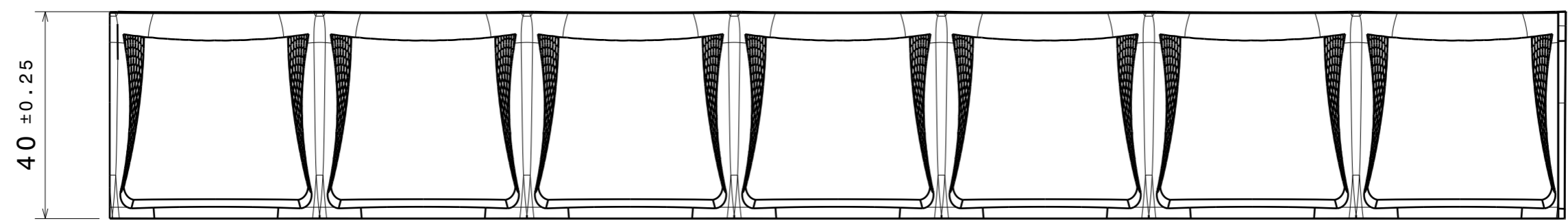
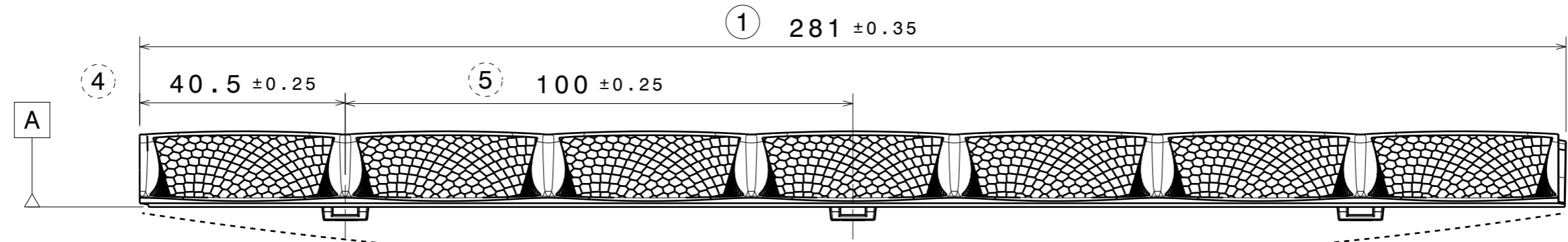
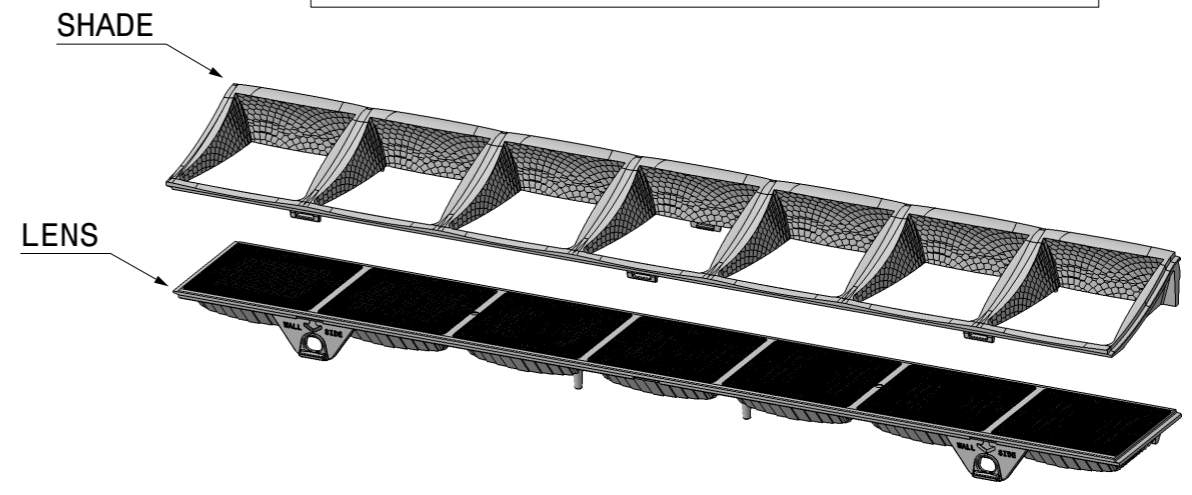
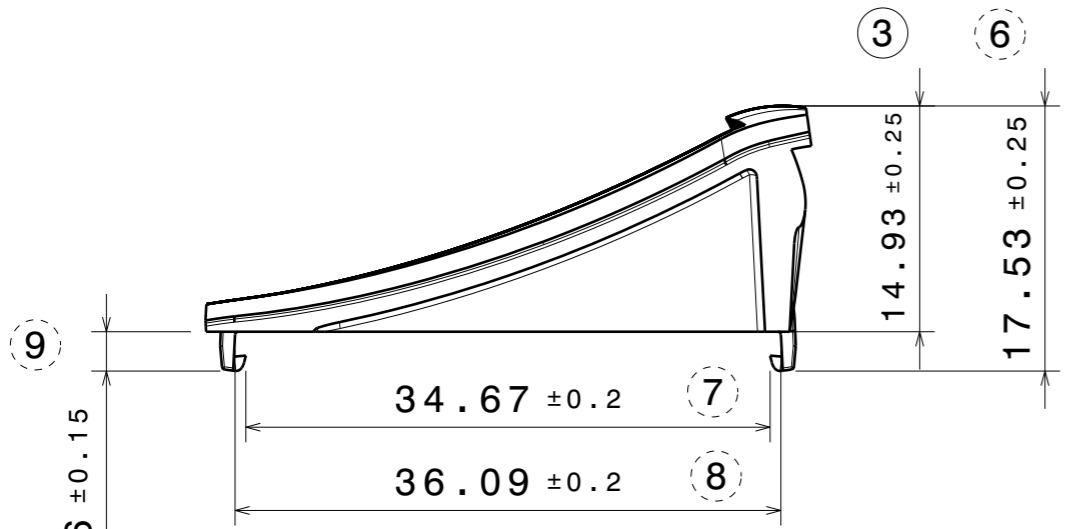


REV	DATE
001	25.09.2025

L20234\_BRIANNA-7X1-WAS compatible



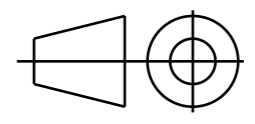
PART	MATERIAL	COLOR / COATING
L20292_BRIANNA-7X1-WAS-SHD2-MET	PC	HMDS metallization

**MECHANICAL DRAWING**

PRODUCT **BRIANNA**

Plastic moulding general tolerances according to DIN 16901-130 and applies if not otherwise shown in the drawing. Silicone moulding general tolerances according to ISO 3302-1 Class M3 and applies if not otherwise shown in the drawing.

FIRST ANGLE PROJECTION:



SCALE	1:1	WEIGHT	23 g	11
-------	-----	--------	------	----

**LEDiL**

This drawing is the property of LEDiL Oy. It may not be copied or otherwise distributed without prior written permission from LEDiL Oy.

A3	SHEET 1/1
----	-----------

**Notes**

Check other BRIANNA accessories & shades from the LEDiL website

- PCB or heatsink level.
- LED location
- Ensure LED fitting from a product specific 3D model available from [www.ledil.com](http://www.ledil.com)
- For more details about installation please see LEDiL Installation Guide on [www.ledil.com](http://www.ledil.com)